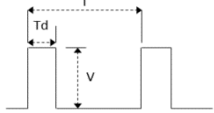
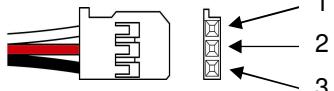
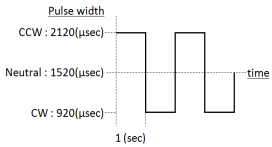


# AD20-06H-C01 Technical Specification

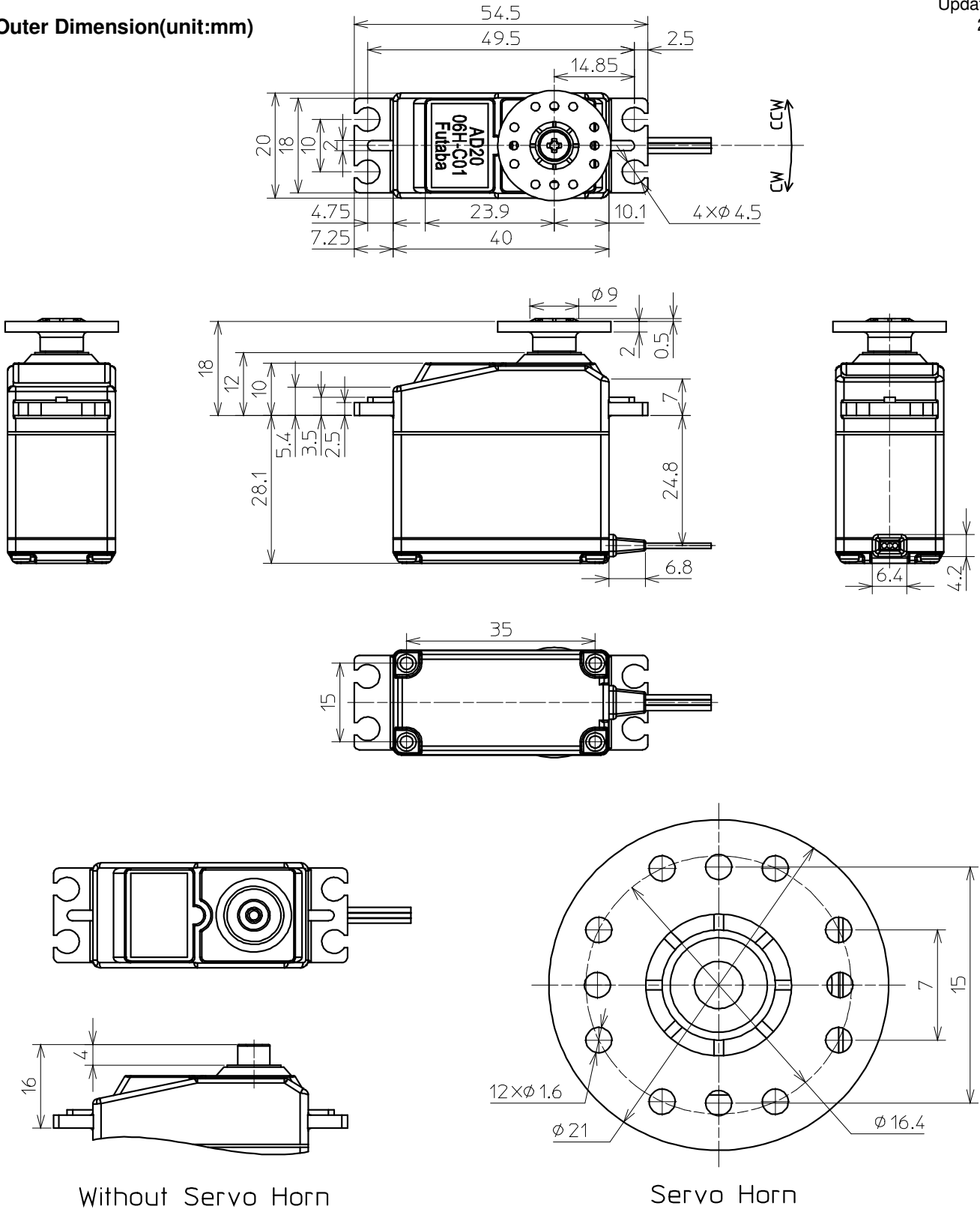
Item		Specification				Remark		
1	Communication Interface	PWM				Signal Voltage:V	HIGH : min. 2.0V max. Vcc	
							LOW : min. 0.0V max. 0.45V	
						Frame Rate:T	3.0~30ms (Default 14.25ms)	
						Left/Center/Right:Td	2120/1520/920 μs (Resolution recommends less than 1 μs.)	
								
		S.BUS / S.BUS2				Futaba Serial Protocol (Please ask us for more information.)		
2	Rated Voltage	DC 6.0~DC 7.4V				-		
3	Operating Voltage	DC 4.8~DC 8.4V				-		
4	Standby Current	≤ 20mA				at 6.0~7.4V		
5	Starting Current*	≤ 2.4				A	at 7.4V , No-Load	
6	Consumption Current*	LL	Me	UL	unit	LL : Low Limit Me : Medium Value UL : Upper Limit		
		115	160	280	mA	at 6.6V , No-Load		
		125	170	290	mA	at 7.4V , No-Load		
7	Max. Torque*	LL	Me	UL	unit	at 6.6V		
		4.3	7.1	9.9	kgf-cm			
		0.4	0.7	1.0	N-m			
		59.7	98.6	137.5	ozf-in	at 7.4V		
		4.8	7.9	11.0	kgf-cm			
		0.5	0.8	1.1	N-m			
66.7	109.7	152.8	ozf-in	at 6.6V				
1.4			kgf-cm					
0.14			N-m					
19.7			ozf-in	20% of Max. Torque				
9	No Load Speed*	LL	Me	UL	unit	at 6.6V		
		0.17	0.14	0.11	s/60°			
		352.9	428.6	545.5	%s			
		58.8	71.4	90.9	rpm	at 7.4V		
		0.16	0.13	0.10	s/60°			
		375.0	461.5	600.0	%s			
62.5	76.9	100.0	rpm					
10	Default Travel Angle	CW 60° (920us) CCW 60° (2120us)				-		
11	Max Travel Angle	CW 90° (920us) CCW 90° (2120us)				Programing tool (CIU-2 or CIU-3,S-Link) required.		
12	BackLash*	≤ 0.7°				-		
13	Operating Temperature Range	-10~+45°C (14~113°F)				-		
14	Storage Temperature Range	-20~+60°C (-4~140°F)				-		
15	Outer Dimension	40.0 x 20.0 x 38.1mm (1.57 x 0.78 x 1.50 in)				-		
16	Weight	38g (1.34oz)				-		
17	Case Material	Upper,Middle,Bottom : Resin				-		
18	Gear Set Material	1st,2nd,3rd,4th(Final) : Resin				-		
19	Cable	Non-Shielded Cable				Cable Length : 11.81 inch (300mm)		
20	Connector	Manufacture	J.A.M. Co., Ltd.					
		Type	FC25-03HG**					
		Mating	FC25-03M** etc.					
		Pin Assignment	1	White	PWM/S.BUS			
		2	Red	Vcc				
		3	Black	GND				
21	Water Resistance	IPX4				-		
22	MTTF	300h (at 6.6V)				Test Condition		
						<ul style="list-style-type: none"> <li>Load : 20% of Max. Torque</li> <li>Operating Condition : 0.5Hz sweep (±60°)</li> <li>Input Pulse : PWM</li> </ul>		
23	Vibration Resistance *	Operating time > 100h (at 6.6V)				Test Condition	<ul style="list-style-type: none"> <li>Frequency range : 80 to 400Hz</li> <li>Sweep Rate : 1.2 min / single-sweep</li> <li>Acceleration : 30G (294m/s<sup>2</sup>)</li> <li>Vibration axis : X , Y , Z</li> </ul>	
						Frequency range		
						Sweep Rate		
						Acceleration		
						Vibration axis		

\* At 23±5°C (Initial Performance Data)

\*\* Custom connector. If necessary, Please use the extension cord sold from Futaba.

**All Specifications are subject to change without prior notice.**

**Outer Dimension(unit:mm)**



**OUTPUT SHAFT**

