

BLA15-06H-AA1 Technical Specification

Item		Specification				Remark	
1	Communication Interface	PWM				Signal Voltage:V	HIGH : min. 2.0V max. Vcc
							LOW : min. 0.0V max. 0.45V
						Frame Rate:T	3.0~30ms (Default 14.25ms)
						CW/Center/CCW:Td	920/1520/2120µs (Resolution recommends less than 1µs.)
		S.BUS / S.BUS2				Futaba Serial Protocol (Please ask us for more information.)	
2	International Protection Code	IP67				Waterproof and dustproof	
3	Rated Voltage	DC 6.0~DC 7.4V				-	
4	Operating Voltage	DC 4.0~DC 8.4V				-	
5	Standby Current	≤ 50mA				at 6.0~7.4V	
6	Starting Current*	≤ 2.6A				at 7.4V	
7	Consumption Current*	LL	Me	UL	unit	at 7.4V , No-Load	
		115	230	345	mA	LL : Low Limit Me : Medium Value UL : Upper Limit	
8	Max. Torque*	LL	Me	UL	unit	at 7.4V	
		7.2	10.3	13.4	kgf·cm		
		0.7	1.0	1.3	N·m		
		100.0	143.0	186.1	ozf·in		
		8.3		kgf·cm	at 6.0V Medium Value		
9	Rated Torque*	1.0			kgf·cm	at 7.4V	
		0.10			N·m	10% of Max. Torque	
		14			ozf·in		
10	No Load Speed*	LL	Me	UL	unit	at 7.4V	
		0.11	0.14	0.17	s/60°		
		353	429	545	°/s		
		59	71	91	rpm		
		0.18		s/60°	at 6.0V Medium Value		
11	Default Travel Angle	CW 60° (920us) CCW 60° (2120us)				-	
12	Max Travel Angle	CW 90° (920us) CCW 90° (2120us)				Programing tool (CIU-2 or CIU-3,S-Link) required.	
13	BackLash*	≤ 0.5°				-	
14	Operating Temperature Range	-30~+70°C (-22~158°F)				-	
15	Storage Temperature Range	-40~+80°C (-40~176°F)				-	
16	Outer Dimension	39.4 x 15.0 x 29.4mm (1.55 x 0.59 x 1.16 in)				Refer to Outer Dimension	
17	Weight	44g				With horn and screws Without cable	
18	Case Material	Aluminum				Surface : Anodizing Salt Water Resistance	
19	Gear Set Material	Steel				Surface : Hardening treatment	
20	Gear bearing	2 ball bearing				-	
21	Position Sensor	Magnetic Encoder				-	
22	Motor Type	Brushless DC Motor				-	
23	Cable	Non-Shielded Cable (Detachable)				Cable Length : 15.75 inch (400mm)	
24	Connector	Manufacture	Neltron Industrial Co., Ltd.				
		Type	120505-04P-FA-PB				
		Mating	4P M5FS-STR 400MM etc.				
		Pin Assignment	1	Red	PWM / S.BUS		
		2	Green	Battery(-)			
		3	Black	Battery(+)			
		-	White	Nom Conection			
25	MTTF *	Operating time > 1000h (TBC)				Operating Condition	
						Test Condition	
26	Vibration Resistance *	Operating time > 500h (TBC)				Operating Condition	Test Condition (sine wave) • Frequency : 10 to 500Hz (sweep 1oct/min, amplitude limit 2mm) • Acceleration : 300m/s ² • Vibration axis : X,Y,Z
						Test Condition	

* At 23±5°C (Initial Performance Data)

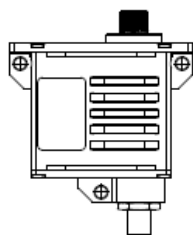
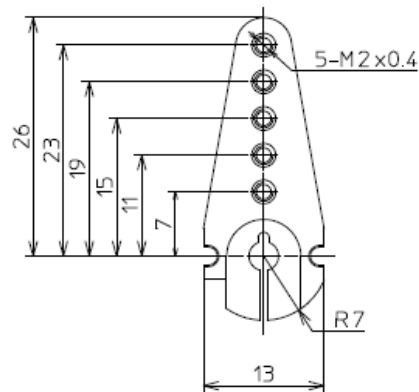
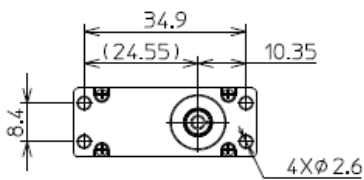
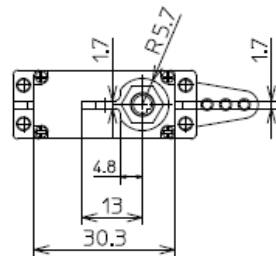
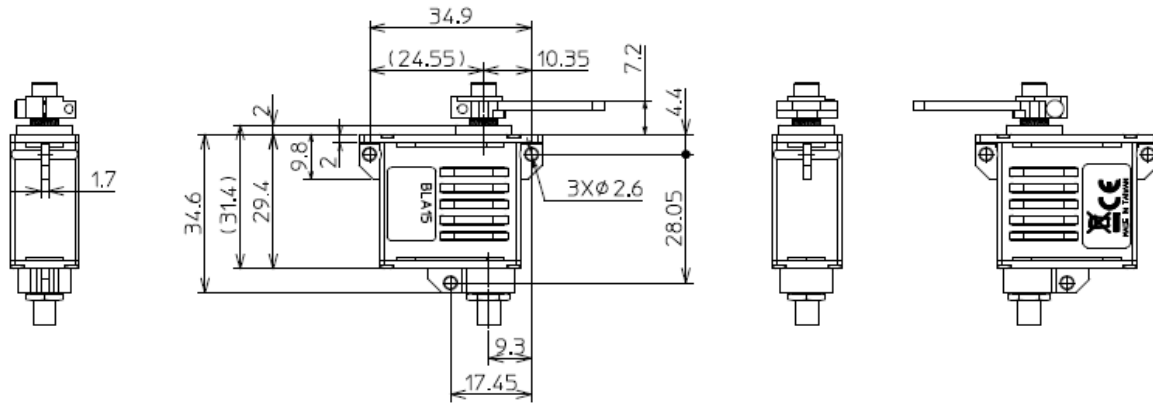
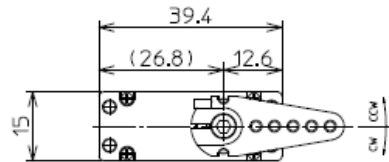
All Specifications are subject to change without prior notice.

Caution

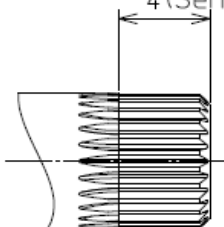
- This product SHOULD NOT be used for the devices that is directly related to human life.
- Keep the servo away from an object which produces a strong magnetic field.
There is a possibility of malfunction if the servo is affected by a strong magnetic field.
- Please do not twist the cable. Twisting the cable will could result in breakage.

Outer Dimension

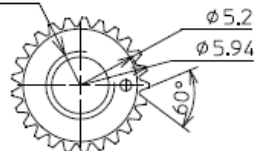
BLA15-06H-AA1



4 (Serration Length)



M3X0.5(defth=7.0)



Serration Size

Standard Diameter : $\Phi 6$
Angle : 60°
Tooth : 25