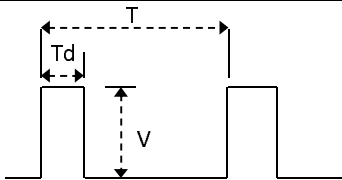
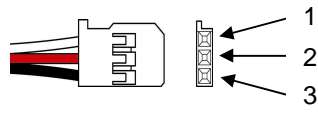
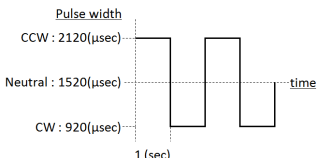


# AD0BG Technical Specification

Update Number

**(THIS DATA IS JUST A REFERENCE. IT IS NOT A GUARANTEED DATA.)**

180611-01

Item		Specification				Remark	
1	Communication Interface	PWM				Signal Voltage:V	HIGH : min. 1.5V max. Vcc
						Frame Rate:T	14.25~20ms
						CW/Center/CCW:Td	920/1520/2120μs (Resolution recommends less than 1μs.)
							
2	Rated Voltage	4.0~6.0V DC				-	
3	Standby Current	≤ 20mA				at 6.0V	
4	Consumption Current*	LL	Me	UL	unit	at 6.0V No-Load	
		120	160	250	mA	LL : Low Limit Me : Medium Value UL : Upper Limit	
5	Max. Torque*	LL	Me	UL	unit	at 6.0V	
		3.4	4.2	5.0	kgf-cm		
		0.3	0.4	0.5	N-m		
		47.2	58.3	69.4	ozf-in		
6	Rated Torque*	LL	Me	UL	unit	at 6.0V 30% of Max. Torque	
		1.0	1.3	1.5	kgf-cm		
		0.10	0.12	0.15	N-m		
		14.2	17.5	20.8	ozf-in		
7	No Load Speed*	LL	Me	UL	unit	at 6.0V	
		0.16	0.20	0.24	sec/60°		
		250.0	300.0	375.0	%/sec		
		41.7	50.0	62.5	rpm		
8	Default Travel Angle	CW 60° (920μs) CCW 60° (2120μs)				-	
9	BackLash*	≤ 0.5°				-	
10	Operating Temperature Range	-10~+45°C (14~113°F)				-	
11	Storage Temperature Range	-20~+60°C (-4~140°F)				-	
12	Outer Dimension	1.22 x 0.63 x 1.21 inch (31.0 x 16.0 x 30.7mm)				-	
13	Weight	1.20oz (34g)				-	
14	Case Material	Upper : Resin / Middle : Resin / Bottom : Resin				-	
15	Gear Set Material	1st : Resin / 2nd : Metal / 3rd : Metal / Final : Metal				-	
16	Cable	Non-Shielded Cable				Cable Length : 11.8 inch (300mm)	
17	Connector	Manufacture	J.A.M. Co., Ltd.				
		Type	FC25-03HG				
		Mating	FC25-03M etc.				
		Pin Assignment	1	White	PWM		
		2	Red	Vcc			
		3	Black	GND			
18	MTTF	50h (Calculated by Weibull analysis.)				Test Condition • Test Voltage : 6.0V • Load : 30% of Max. Torque • Operating Condition : 0.5Hz sweep (±60°) • Input Pluse : PWM 	

\* Initial Performance Data at 23±5°C

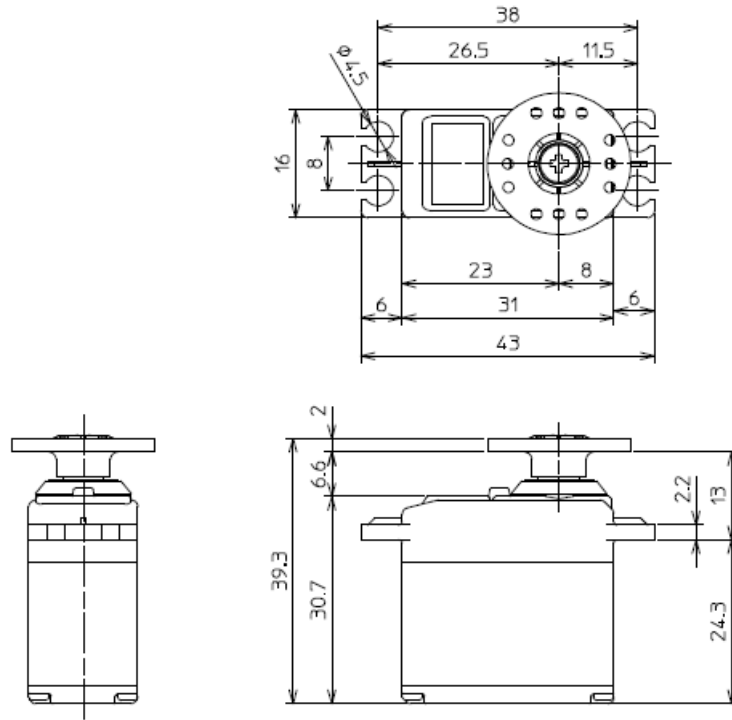
**All Specifications are subject to change without prior notice.**

**Caution**

This product **SHOULD NOT** be used for the devices that is directly related to human life and/or harmful devices for human body such as below applications.

- (1)Medical Devices
- (2)Aerospace/Aviation Related Devices
- (3)Nuclear Related Devices                      e.t.c.

Outer Dimension



(Unit mm)